

NELSON™ HEAT TRACING SYSTEMS

TE460-SV THERMOSTAT

SPECIFICATION / APPLICATION INSTALLATION

DESCRIPTION



ENCLOSURE

Powder Coated Steel

CLASSIFICATIONS

NEMA Type 4 IP66

TEMPERATURE RANGE

0 to 538°C (32 to 1000°F)

SENSING PROBE

Length	Material	Max. Bulb Temperature
3m (10ft.)	Incoloy 825	593°C (1100°F)

ELECTRICAL DATA

Load Switch: 5 amp resistive @ 480VAC
Control Voltage: 120VAC

CALIBRATION ACCURACY

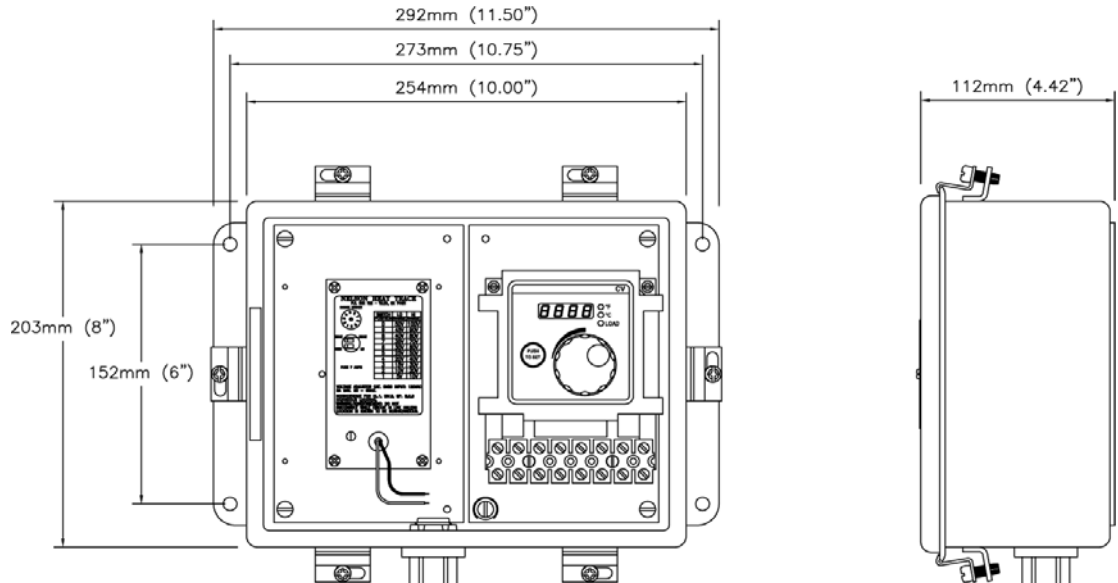
±1% of span

SWITCH TYPE

Single Pole Double Throw

These thermostats are used for high temperature piping on freeze protection and process maintenance applications in ordinary locations. For MI cable applications that require design voltages less than 120VAC, adjustable between 30 to 100VAC.

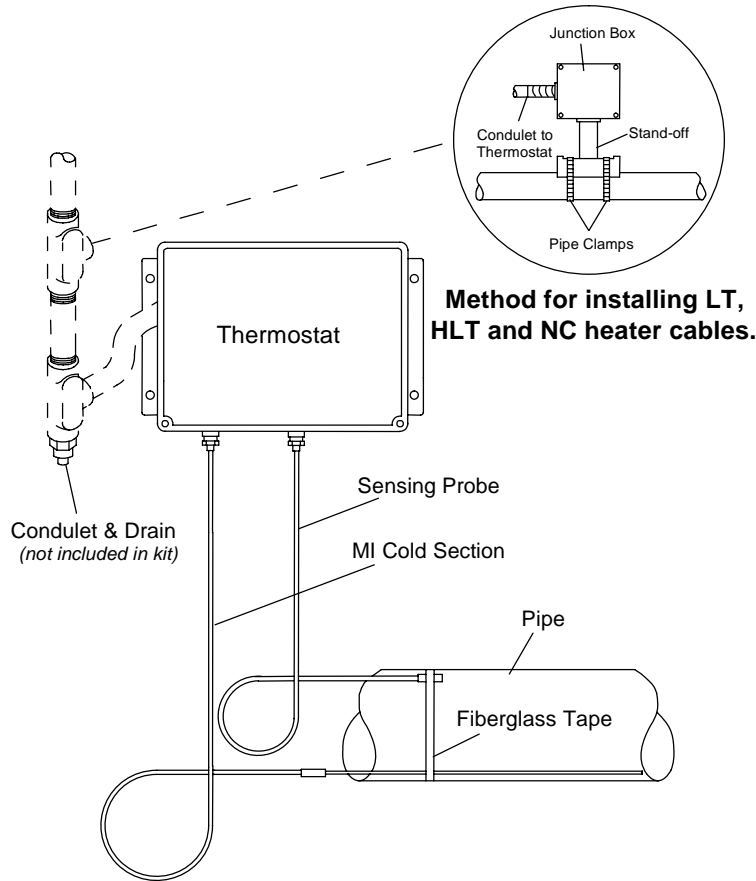
OUTLINE



Approvals:

FM - Ordinary Locations
CSA - Ordinary Locations

INSTALLATION



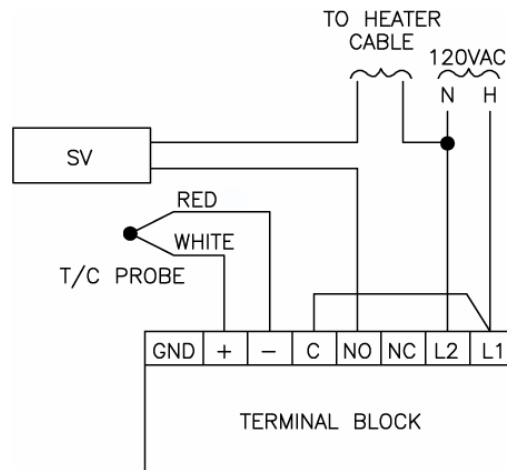
INSTALLATION NOTES:

- Securely mount thermostat enclosure and connect to power wiring.
- Verify thermostat set point is at the desired maintenance temperature.
- Close enclosure cover to prevent damage from inclement weather.
- Insure all fittings associated with the power wiring are installed per applicable codes.
- When conduit type systems are used, low point drains / conduit drains are highly recommended.

ANNUAL MAINTENANCE:

Spray a coat of lubricant and rust preventative such as CRC Stor & Lube on the electrical wire connections.

WIRING DIAGRAM



Nelson Heat Tracing Systems products are supplied with a limited warranty. Complete Terms and Conditions may be found on Nelson's website at www.nelsonheaters.com.